

# VK-2W Series

2W 4:1 Regulated Single & Dual output

## Features

- Wide 4:1 Input Range
- Full SMD Technology
- 1500 VDC Isolation, Up to 3500 VDC
- Continuous Short Circuit Protection
- Efficiency up to 78%
- -40 ~ 85°C Operation Temperature Range
- Metal Case Standard, Optional Plastic Case



The VK series is a family of cost effective 2.0W single & dual output DC-DC converters. These converters are consisted with Nickel-coated copper in a 24-pin DIL package with high performance features such as 1500 VDC ~ 3500VDC input/output isolation voltage, continuous short circuit protection with automatic restart and tight line / load regulation. Devices are encapsulated using flame retardant resin. Input voltages of 24 and 48 with output voltage of 3.3, 5, 7.2, 9, 12, 15, 18, 24,  $\pm 3.3$ ,  $\pm 5$ ,  $\pm 7.2$ ,  $\pm 9$ ,  $\pm 12$ ,  $\pm 15$ ,  $\pm 18$  and  $\pm 24$  Vdc. High performance features include high efficiency operation up to 78% and output voltage accuracy of  $\pm 1\%$  maximum.

All specifications typical at  $T_a=25^\circ\text{C}$ , nominal input voltage and full load unless otherwise specified

OUTPUT SPECIFICATIONS	
Voltage accuracy	$\pm 1\%$
Line regulation	$\pm 0.5\%$
Load regulation	$\pm 0.5\%$
	(Output 3.3V / $\pm 3.3$ V Model) $\pm 1.5\%$
Ripple & noise (20 MHz bandwidth)(1)	60mV pk-pk
Short circuit protection	Indefinite(Automatic Recovery)
Temperature coefficient	$\pm 0.02\%/^\circ\text{C}$
Capacitor load(2)	See table

INPUT SPECIFICATIONS	
Voltage Range	See table
Max. Input Current	See table
No-Load Input Current	See table
Input Filter	PI Type
Input Reflected Ripple Current(3)	35mA pk-pk

GENERAL SPECIFICATIONS	
Efficiency	See table, typ
I/O Isolation Voltage(60sec)	
Input/Output	1500~3500Vdc
Metal Case/Input & Output	1000Vdc
I/O Isolation Capacitance	500 pF Typ.
I/O Isolation Resistance	1000M Ohm
Switching Frequency	Typical 266kHz
Humidity	95% rel H
Reliability Calculated MTBF(MIL-HDBK-217 F)	>1.121 Mhrs
Safety Standard : (designed to meet)	IEC 60950-1

EMC SPECIFICATIONS		
Radiated Emissions	EN55032	CLASS A
Conducted Emissions (4)	EN55032	CLASS A
ESD	IEC 61000-4-2	Perf. Criteria A
RS	IEC 61000-4-3	Perf. Criteria A
EFT	IEC 61000-4-4	Perf. Criteria A
Surge (5)	IEC 61000-4-5	Perf. Criteria A
CS	IEC 61000-4-6	Perf. Criteria A
PFMF	IEC 61000-4-8	Perf. Criteria A

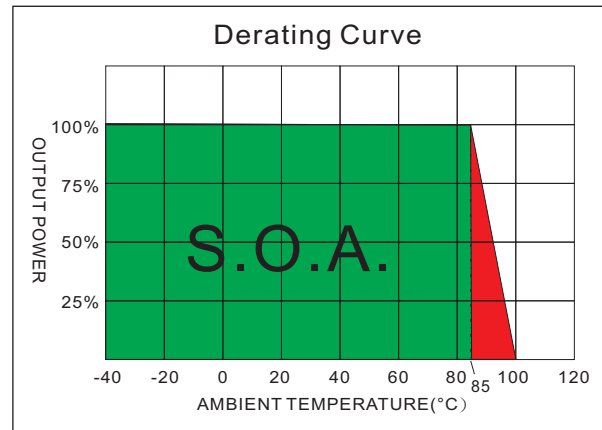
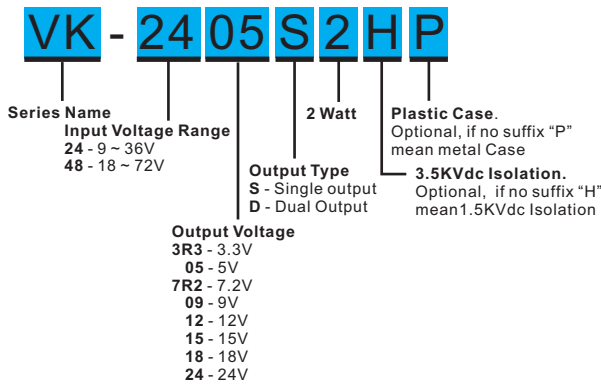
PHYSICAL SPECIFICATIONS	
Case Material	Nickel-coated Copper
	Non-conductive Black Plastic(UL94V-0 rated)
Base Material	Non-conductive Black Plastic(UL94V-0 rated)
Pin Material	$\Phi 0.5$ mm Brass Solder-coated
Potting Material	Epoxy (UL94V-0 rated)
Weight	17.0g(Metal Case)/13.5g(Plastic Case)
Dimensions	1.25"x0.8"x0.4"

ENVIRONMENT SPECIFICATIONS	
Operating Temperature	-40°C~85°C
Maximum Case Temperature	100°C
Storage Temperature	-40°C~125°C
Cooling	Nature Convection

ABSOLUTE MAXIMUM RATINGS(6)	
These are stress ratings. Exposure of devices to any of these conditions may adversely affect long-term reliability.	
Input Surge Voltage(100mS)	
24 Models	40 Vdc, max.
48 Models	80 Vdc, max.
Soldering Temperature	260°C, max.
(1.5mm from case 10sec max.)	

## VK - 2W 4:1 Regulated Single & Dual output

### PART NUMBER STRUCTURE



### MODEL SELECTION GUIDE

MODEL NUMBER	INPUT Voltage Range (Vdc)	INPUT Current		OUTPUT Voltage (Vdc)	OUTPUT Current		EFFICIENCY @FL (% , typ.)	Capacitor Load @FL (µF , max.)
		No-Load (mA, max.)	Full Load (mA, typ.)		Min. load (mA)	Full load (mA)		
VK-243R3S2	9-36	15	110	3.3	0	600	75	470
VK-2405S2	9-36	15	109.6	5	0	400	76	330
VK-247R2S2	9-36	15	106.8	7.2	0	277	78	68
VK-2409S2	9-36	15	106.8	9	0	222	78	68
VK-2412S2	9-36	15	106.8	12	0	166	78	47
VK-2415S2	9-36	15	106.8	15	0	133	78	22
VK-2418S2	9-36	15	106.8	18	0	111	78	22
VK-2424S2	9-36	15	106.8	24	0	83	78	10
VK-243R3D2	9-36	15	110	±3.3	0	±303	75	±220
VK-2405D2	9-36	15	109.6	±5	0	±200	76	±100
VK-247R2D2	9-36	15	106.8	±7.2	0	±138	78	±33
VK-2409D2	9-36	15	106.8	±9	0	±111	78	±33
VK-2412D2	9-36	15	106.8	±12	0	±83	78	±22
VK-2415D2	9-36	15	106.8	±15	0	±66	78	±10
VK-2418D2	9-36	15	106.8	±18	0	±55	78	±10
VK-2424D2	9-36	15	106.8	±24	0	±41	78	±10
VK-483R3S2	18-72	12	55	3.3	0	600	75	470
VK-4805S2	18-72	12	54.82	5	0	400	76	330
VK-487R2S2	18-72	12	53.4	7.2	0	277	78	68
VK-4809S2	18-72	12	53.4	9	0	222	78	68
VK-4812S2	18-72	12	53.4	12	0	166	78	47
VK-4815S2	18-72	12	53.4	15	0	133	78	22
VK-4818S2	18-72	12	53.4	18	0	111	78	22
VK-4824S2	18-72	12	53.4	24	0	83	78	10
VK-483R3D2	18-72	12	55.5	±3.3	0	±303	75	±220
VK-4805D2	18-72	12	54.82	±5	0	±200	76	±100
VK-487R2D2	18-72	12	53.4	±7.2	0	±138	78	±33
VK-4809D2	18-72	12	53.4	±9	0	±111	78	±33
VK-4812D2	18-72	12	53.4	±12	0	±83	78	±22
VK-4815D2	18-72	12	53.4	±15	0	±66	78	±10
VK-4818D2	18-72	12	53.4	±18	0	±55	78	±10
VK-4824D2	18-72	12	53.4	±24	0	±41	78	±10

Suffix "H" means 3.5KVdc isolation

Suffix "P" means Plastic case instead of standard Metal Case

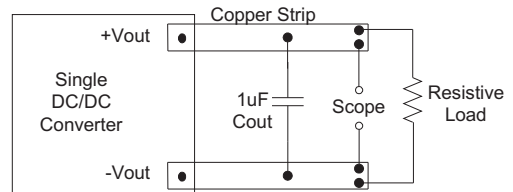
**NOTE**

1. Ripple/Noise measured with a 1uF ceramic capacitor.
2. Test by nominal input voltage and constant resistor load.
3. Measured Input reflected ripple current with a simulated source inductance of 12uH.
4. It's recommended to add (C1, C2, L) in input end to achieve EN55032 conducted Class A.
5. An external filter capacitor is required if the module has to meet IEC61000-4-5.  
The filter capacitor Motien suggest: Nippon - chemi - con KY series, 220uF/100V.
6. Exceeding the absolute ratings of the unit could cause damage. It is not allowed for continuous operating.

**TEST CONFIGURATIONS**

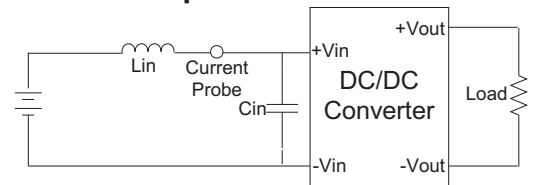
**Output Ripple & Noise Measurement Test**

Use a capacitor Cout(1.0uF) measurement.  
The Scope measurement bandwidth is 0-20MHz.



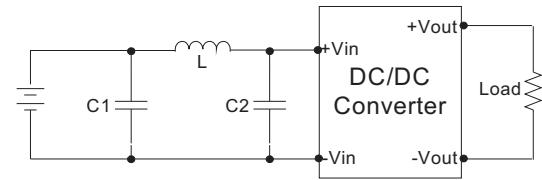
**Input Reflected Ripple Current Test Step**

Input reflected ripple current is measured through a source inductor Lin(12uH) and a source capacitor Cin(47uF, ESR<1.0Ω at 100KHz) at nominal input and full load.



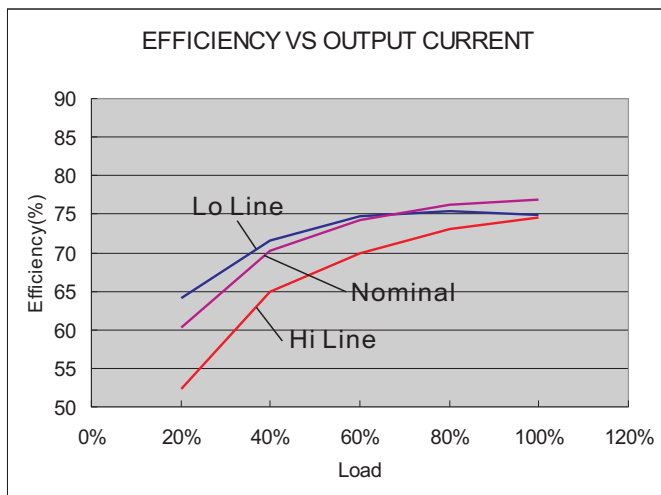
**EMI Filter**

Input filter components (C1,C2, L) are used to help meet conducted emissions requirement for the module. These components should be mounted as close as possible to the module; and all leads should be minimized to decrease radiated noise.

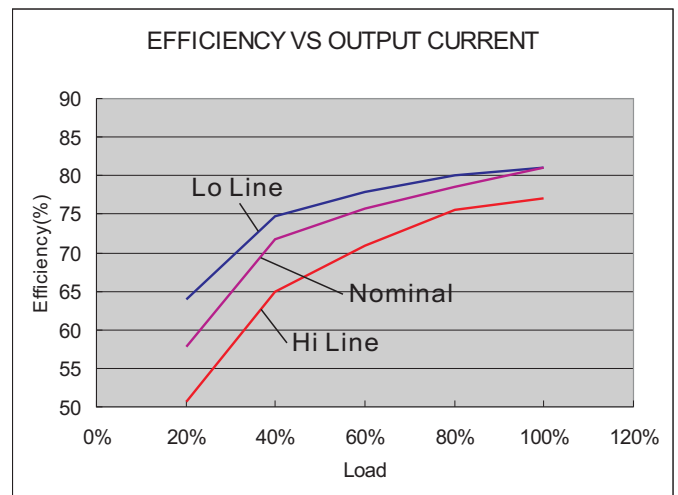


C1	L	C2
68uF, 100V	12uH	33uF, 100V

**ELECTRICAL CHARACTERISTIC CURVES**



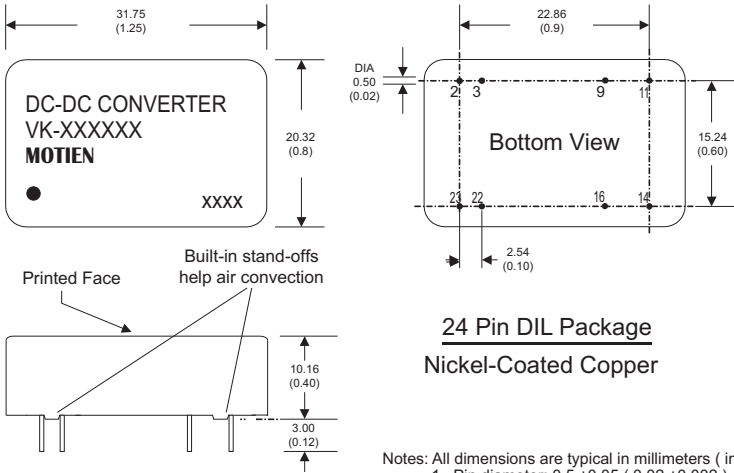
24 Models



48 Models

The models listed above is just for standard type. If you need the special specification product, please contact our service member by telephone presented in shortform cover or e-mail to : sales@motien.com.tw

**MECHANICAL SPECIFICATIONS**

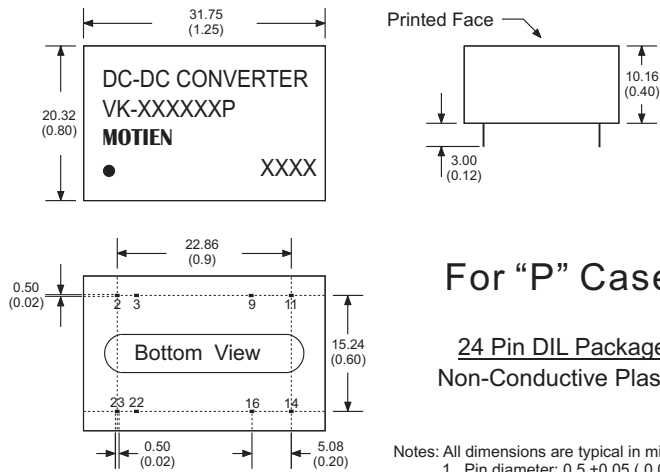


**24 Pin DIL Package  
Nickel-Coated Copper**

Notes: All dimensions are typical in millimeters ( inches ).  
 1. Pin diameter:  $0.5 \pm 0.05$  (  $0.02 \pm 0.002$  )  
 2. Pin pitch and length tolerance:  $\pm 0.35$  (  $\pm 0.014$  )  
 3. Case Tolerance:  $\pm 0.5$  (  $\pm 0.02$  )

PIN CONNECTIONS		
PIN NUMBER	SINGLE	DUAL
2	-V Input	-V Input
3	-V Input	-V Input
9	N.P.	Common
11	N.C.	-V Output
14	+V Output	+V Output
16	-V Output	Common
22	+V Input	+V Input
23	+V Input	+V Input

(The Pin Connection of high isolation one is the same with normal one.)



**For "P" Case  
24 Pin DIL Package  
Non-Conductive Plastic**

Notes: All dimensions are typical in millimeters ( inches ).  
 1. Pin diameter:  $0.5 \pm 0.05$  (  $0.02 \pm 0.002$  )  
 2. Pin pitch and length tolerance:  $\pm 0.35$  (  $\pm 0.014$  )  
 3. Case Tolerance:  $\pm 0.5$  (  $\pm 0.02$  )

PIN CONNECTIONS		
PIN NUMBER	SINGLE	DUAL
2	-V Input	-V Input
3	-V Input	-V Input
9	N.P.	Common
11	N.C.	-V Output
14	+V Output	+V Output
16	-V Output	Common
22	+V Input	+V Input
23	+V Input	+V Input

(The Pin Connection of high isolation one is the same with normal one.)